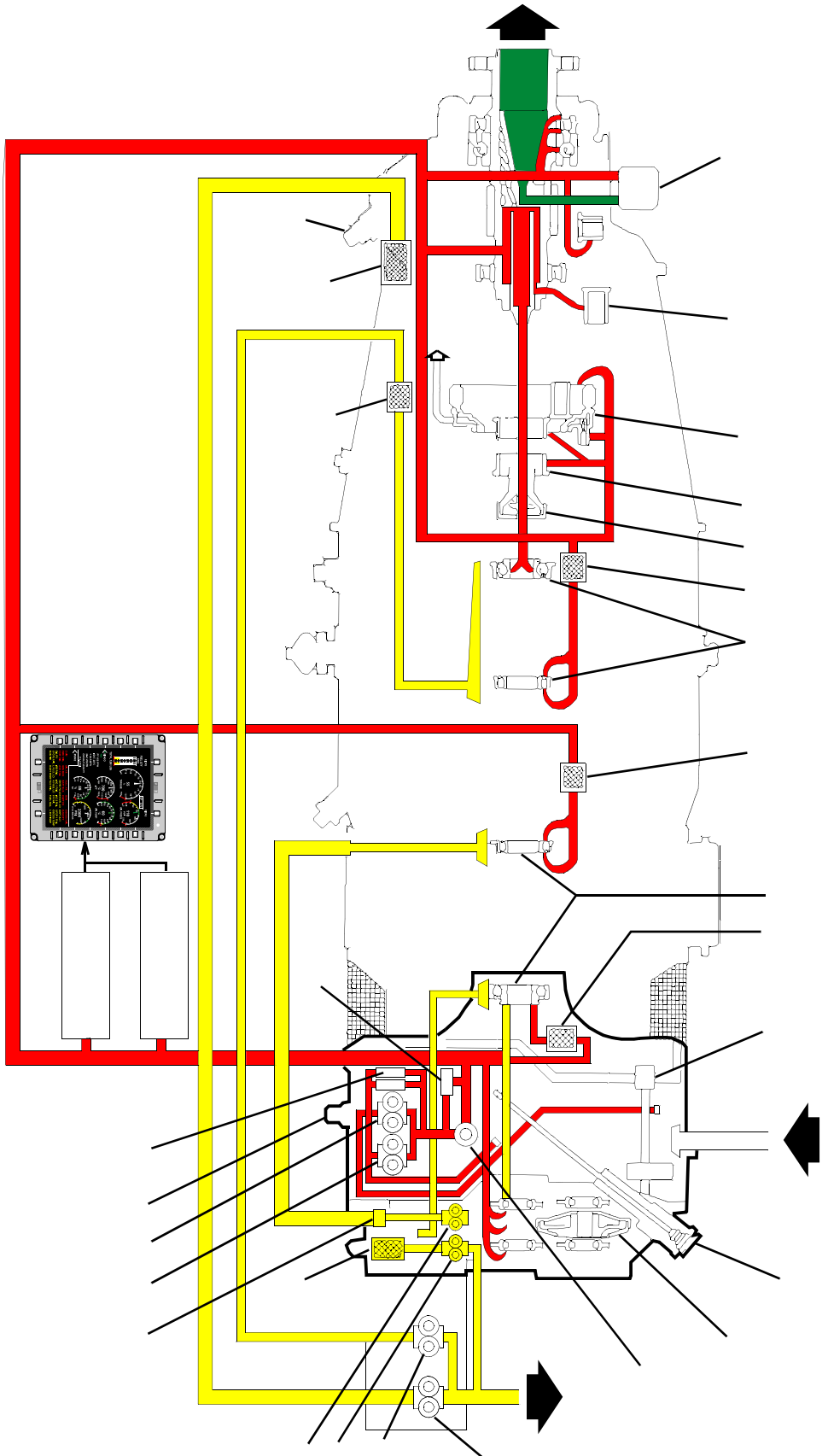


Figure 1-21. Hydraulic System



*Figure 1-9. Oil System Schematic*

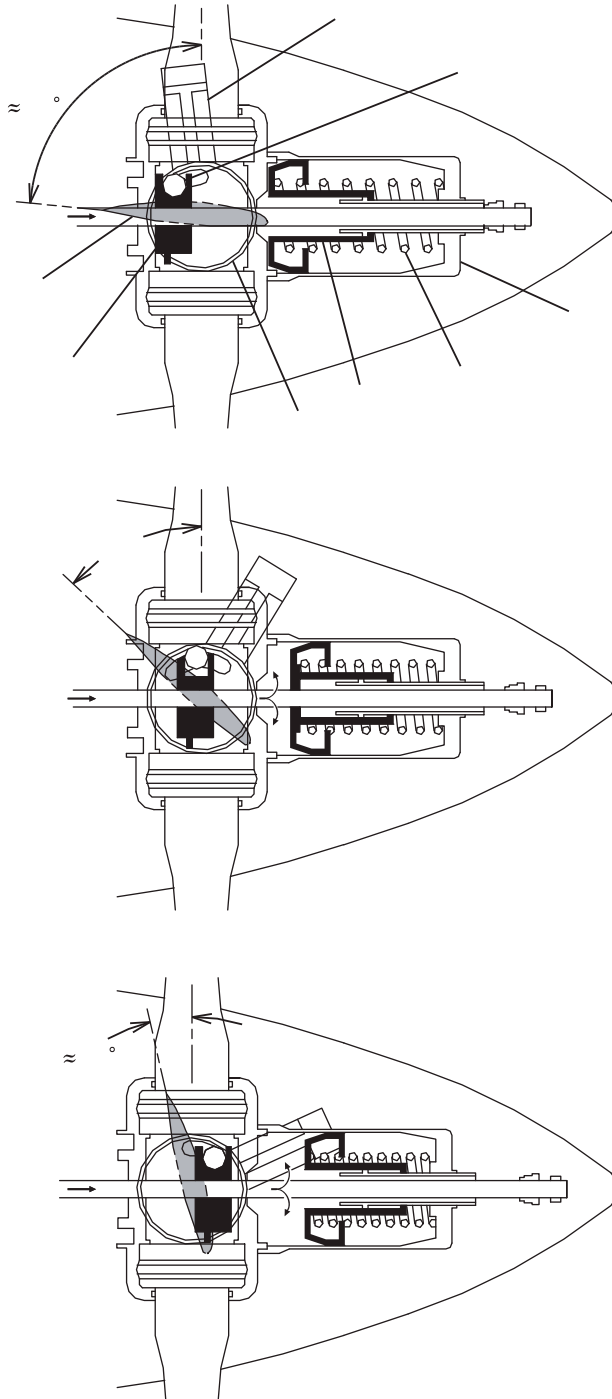


Figure 1-11. Propeller

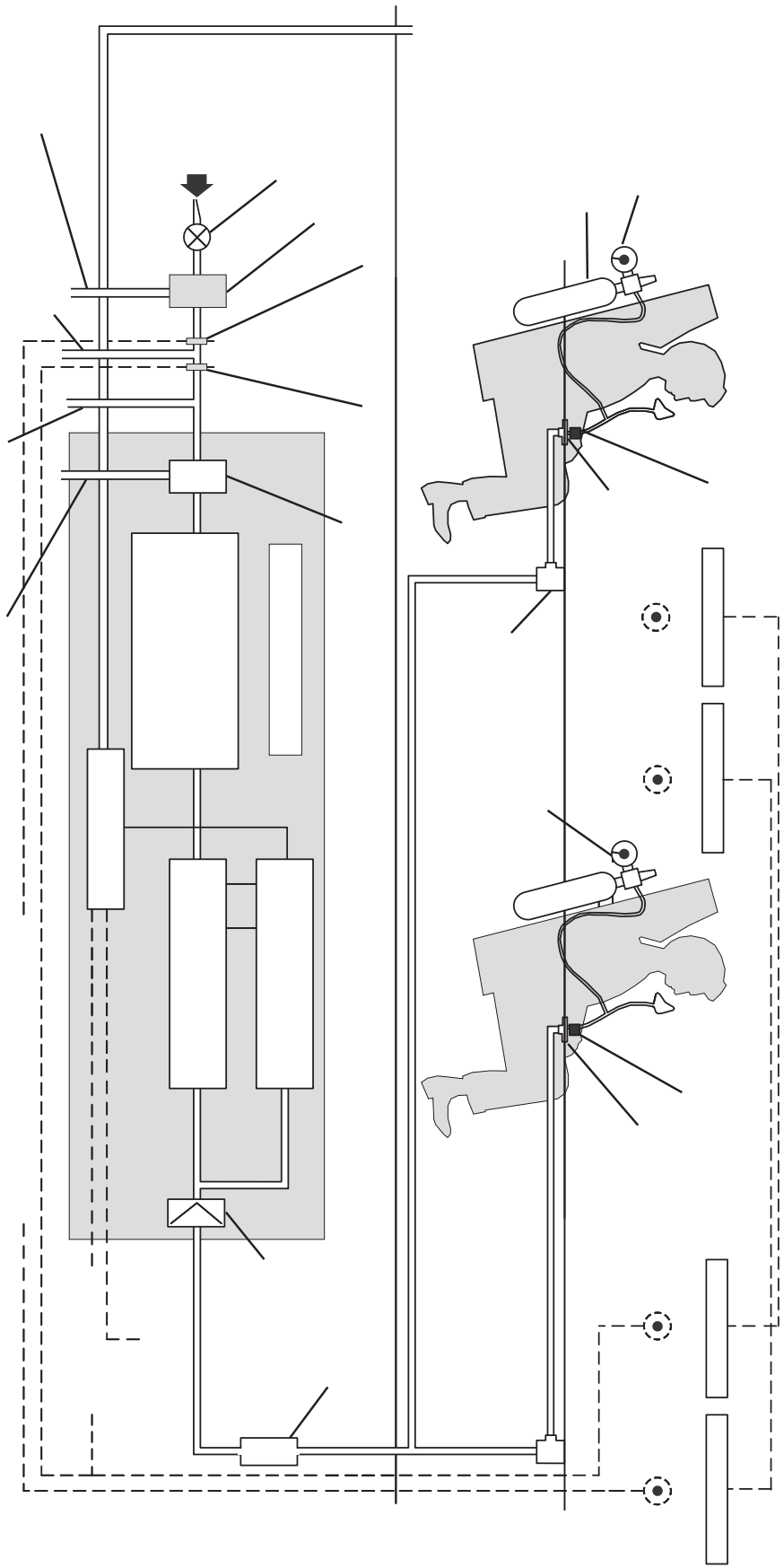


Figure I-97. Oxygen System

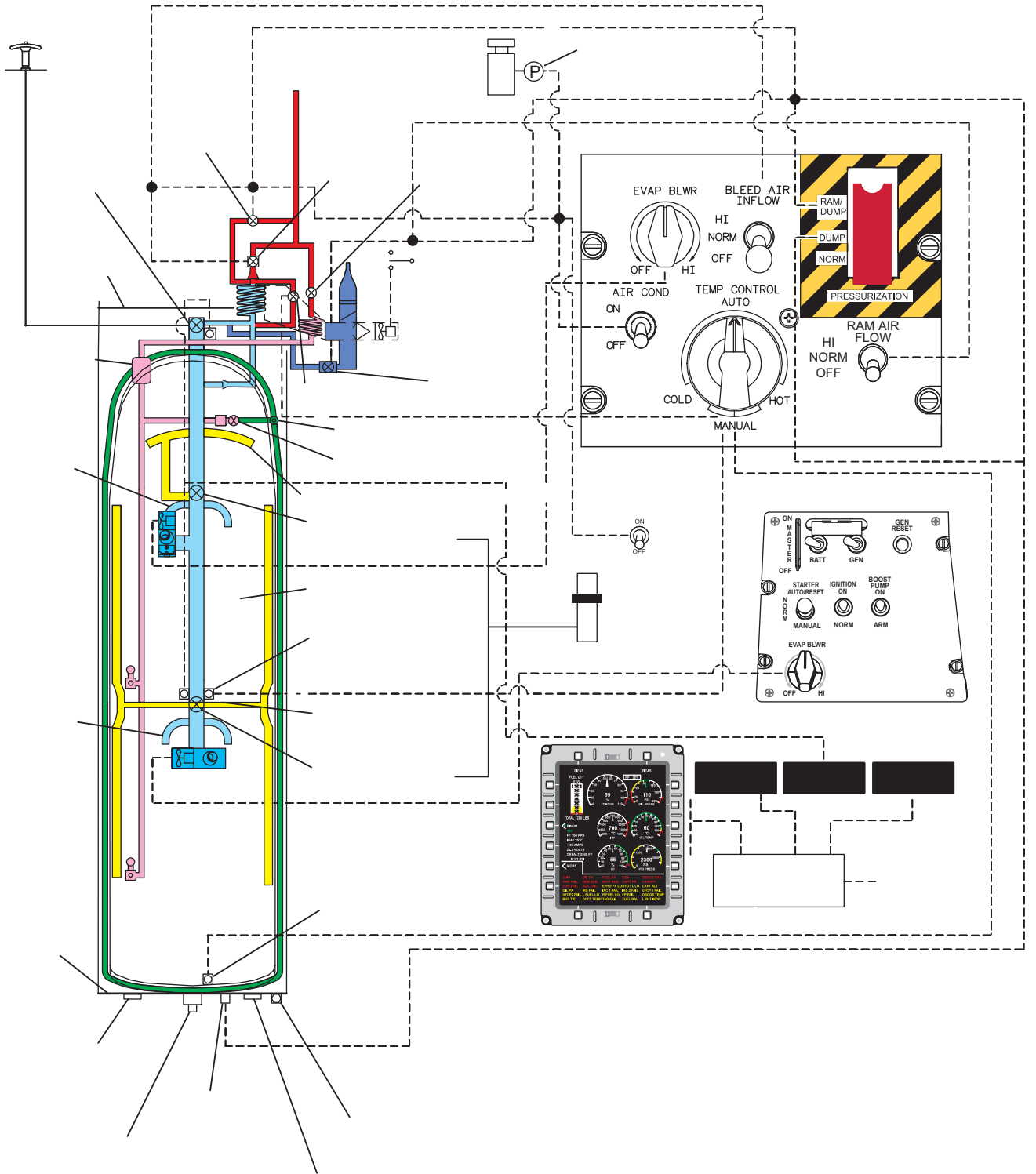


Figure 1-38. Environmental Control System

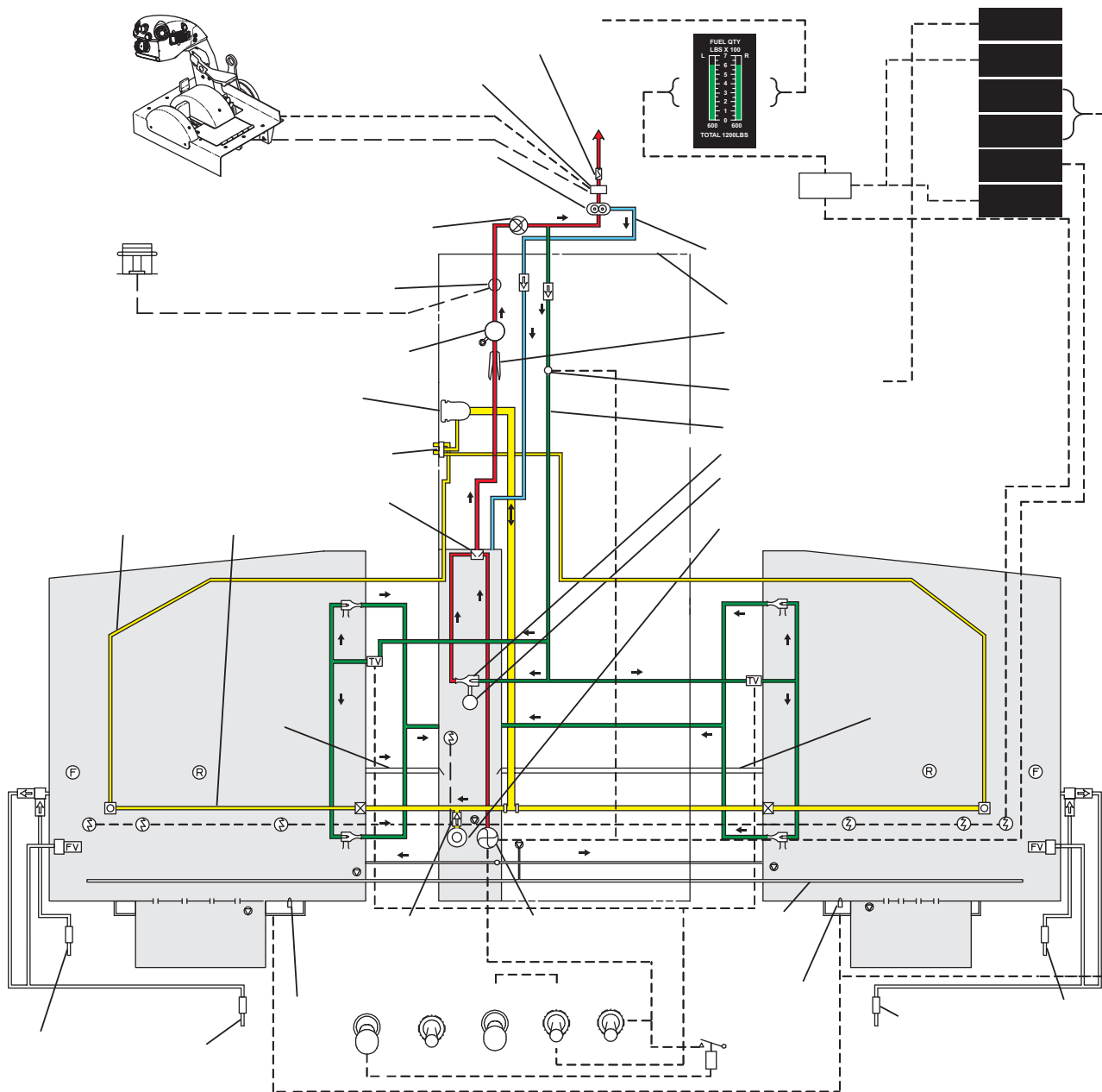


Figure 1-17. Fuel System Schematic

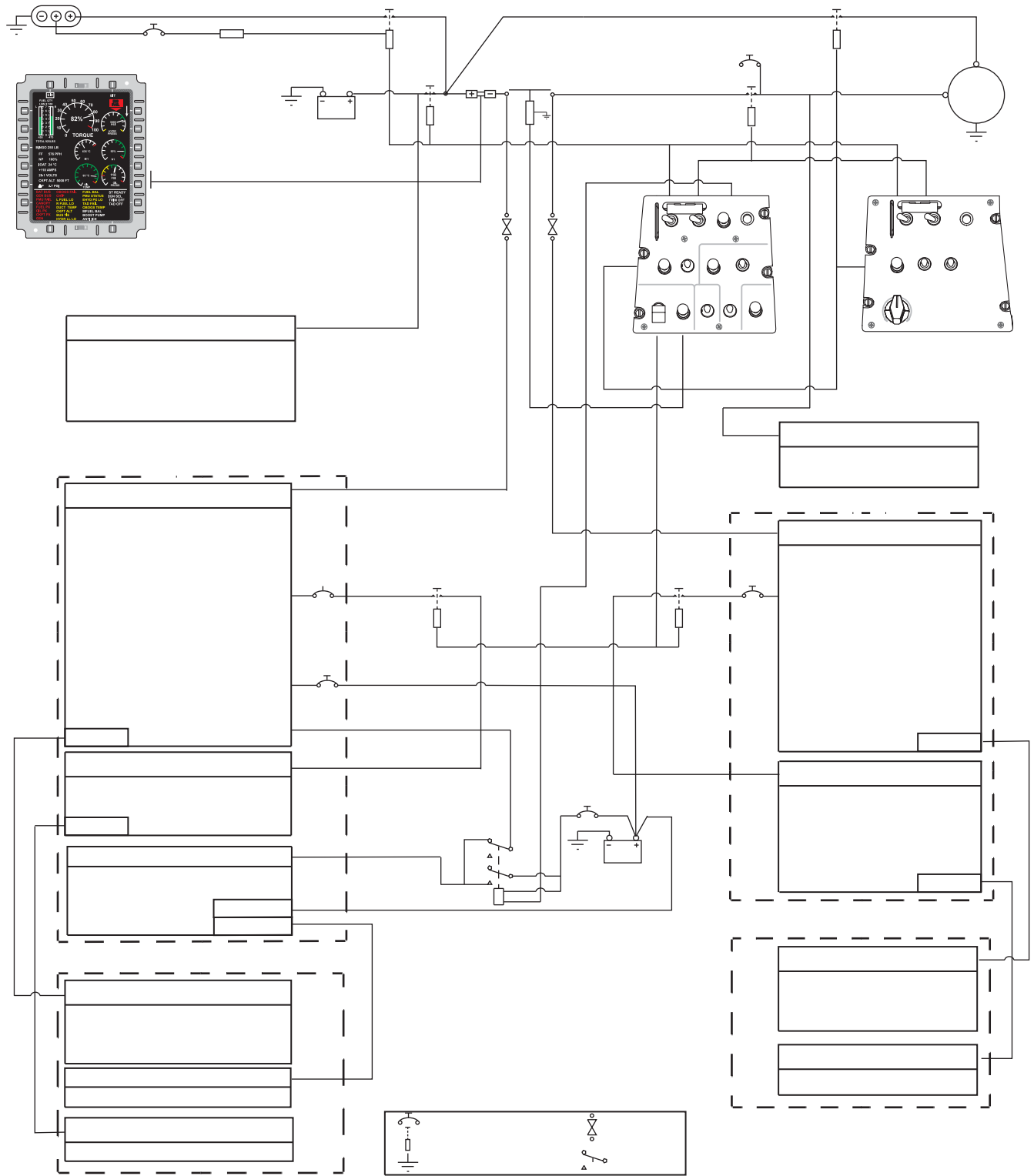


Figure 1-19. Electrical Schematic